



A Leader in the Intelligent X-Ray
Inspection Equipment

AX9100

X-Ray Inspection Equipment



www.global-xray.com
www.unicomp.cn

AX9100

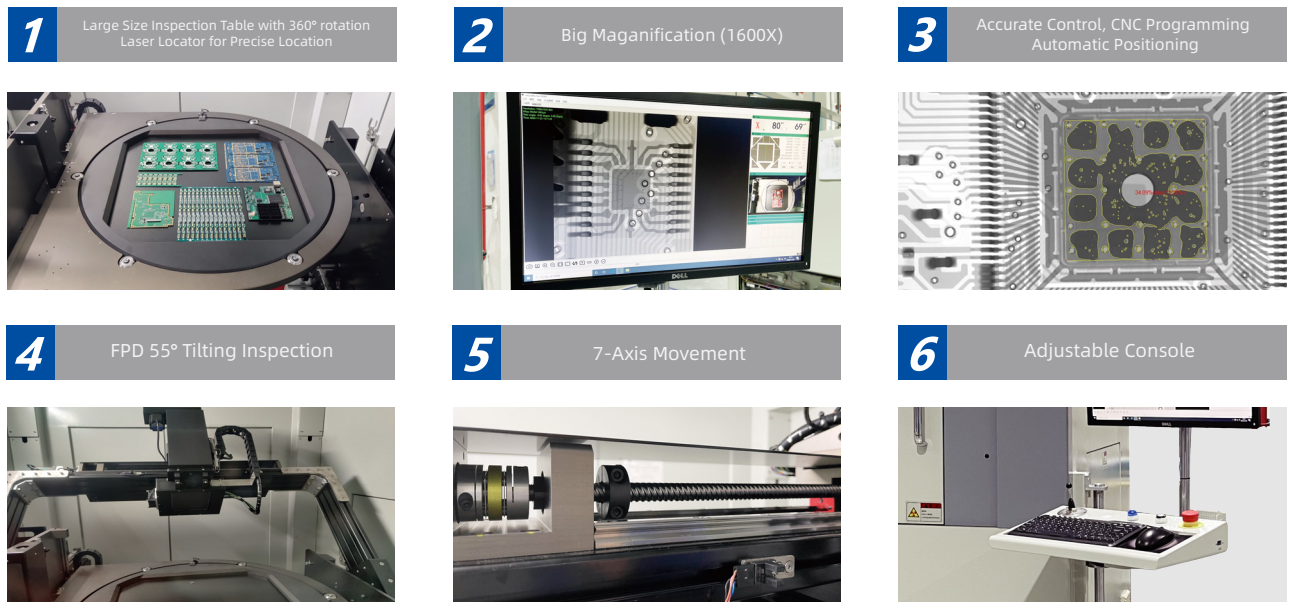


Widely applied for BGA, CSP, Flip Chip, LED, Fuse, Diode, PCB, Semiconductor, Battery Industry, Small Metal Casting, Electronic Connector Module, Cables, Aerospace Components, Photovoltaic Industry, etc.

Application Fields



Functions and Features



Inspection Images





A Leader in the Intelligent X-Ray Inspection Equipment

Technical Parameters and Specifications

System Summary

Footprint	1420(W)×1580(D)×2000(H)mm	Plywood Packing Size	1850(W)×1850(D)×2280(H)mm
Machine Weight	2160 kg	Packing Weight	2380 kg
Power Supply	AC 110~220V, 50/60Hz	Power Consumption	3.0 kW

X-Ray Tube

Tube Type	Sealed	Max. Power	40W
Voltage	0~130kV (Adjustable)	Focus Spot Size	< 7μm

Imaging System

Detector	Flat Panel Detector (FPD)	Pixel Size	85μm
Effective Detection Area	130*130mm	Frame Rates	20fps
Pixel Matrix	1536*1536	System Magnification	1600X

Software

Auto-measuring	BGA Soldering Voids Auto-measuring and Support Data/Graphic Output
Multiple Measuring Tools	Support Measuring Distance, Angle, Diameter, Polygon, PTH filling rate, etc.
CNC Mode	CNC Programmable Inspection, Easy Operation and User Friendly
Real-time Display	Real-time Displaying the Working Data of Voltage, Current, Angle, Date, etc
Navigation	Convenient Target Point Positioning System

Motion Control System

Movement Control	Joystick, Keypad & Mouse
Max. Loading Area/Weight	Φ570mm / 10kg
Max. Inspection Area	450*450mm
Oblique Views	Max. 55° Filting (FPD) / 360° Rotation (Table)
Manipulator	7-axis with X1 / X2 / Y / Z1 / Z2 / T (55°) / R (360°)

Industrial PC

Monitor	21.5'' FHD LCD Display
System OS	Windows 10 64bit
Hard disk	1TB
RAM	8GB
CPU model	Intel i7 Processor

Other Features

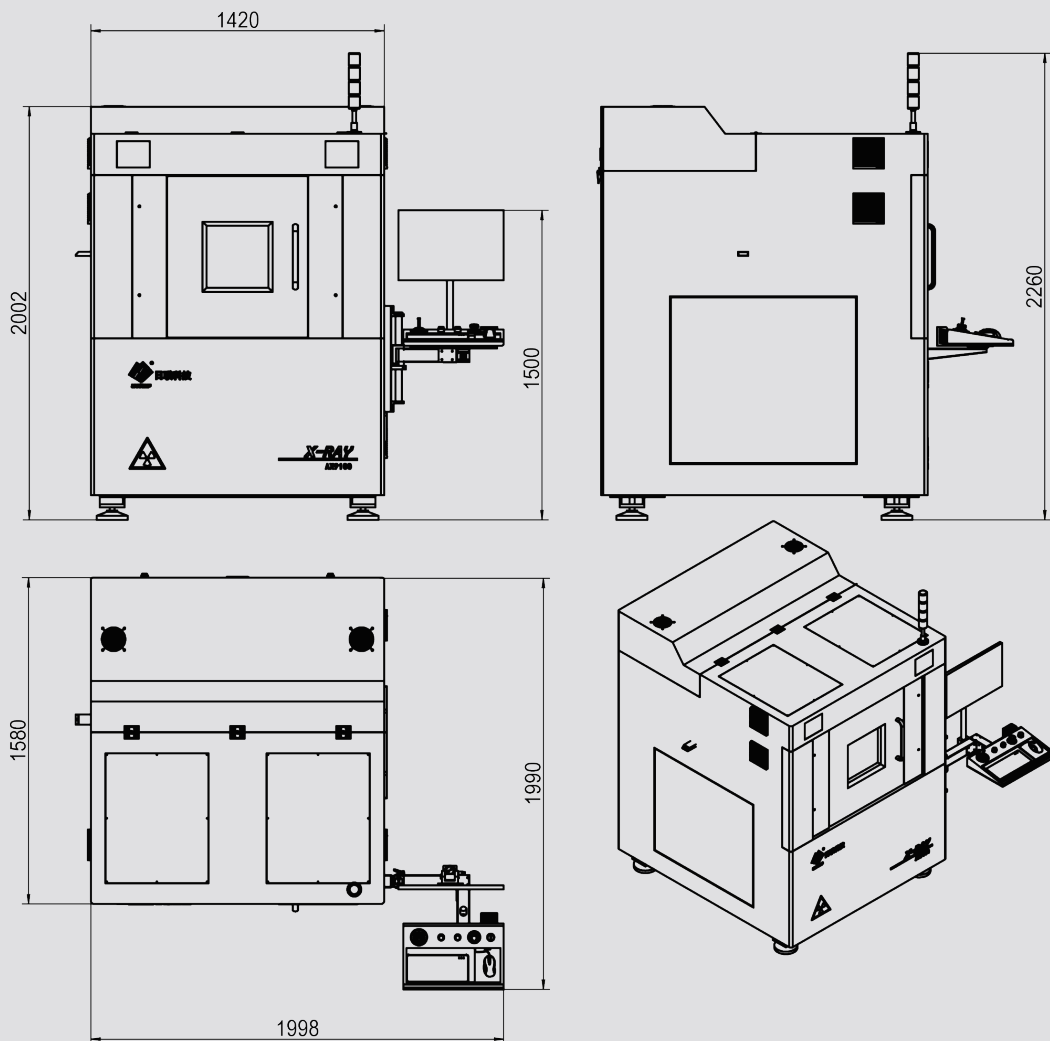
Energy Saving	X-Ray Auto-off when it's out of work over than 5 minutes	Safety Operation	Electromagnetic Interlock, Warning Light
Authority Management	Password Management	X-Ray Safety	<1μSv/h (Meets All International Standards)

* Specifications are subject to change without notice, All trademarks are the property of the system maker.

Dimensions and Appearance



Scan the QR-Code to visit more information



UNICOMP TECHNOLOGY CORPORATE:

Wuxi Unicom Technology Co., Ltd (HQ)

No. 11, Lijiang Road, Xinwu District, Wuxi City, Jiangsu Province, P.R.C.

Zip Code: 214112

TEL: +86-510-68506688

FAX: +86-510-81816018

Shenzhen Unicom Technology Co., Ltd

Building 2A, Baoxin Technology Park, Guangyuan 5th Road, Guangming District, Shenzhen, Guangdong Province P.R.C. Zip:518107

TEL: +86-755-26650316

FAX: +86-755-26650296

Chongqing Unicom Technology Co., Ltd

1st Building, No.23 Fushun Blvd, Biquan Street, Bishan District, ChongQing, P.R.C.

Zip Code: 402760

TEL: +86-23-63226131

FAX: +86-23-63228366